

LOAD CARRIER 750



TROLLEY FOR TRUCK

Suitable both for long haul heavy goods transport and for e-commerce. The load carriers in our 750 series are stronger in all respects, due to their build and design. Each trolley has a load capacity of 750 kg and every millimetre of shelf space can be utilised. The shelves are fixed with

screws, making it simple to reconfigure the trolley as needed. Reinforced wheels and wheel brackets make towing easy. The wide range of trolley types and shelf sizes ensures flexibility and makes it easy to adapt the trolley to the job at hand. The trolleys have a maximum speed of 12 km/h.

HelgeNyberg

THE PRODUCER OF ERGOBJÖRN



Item no.
15752695



Item no.
15752696

STEP TROLLEY 600mm

Trolley with steps for picking and replenishment in warehouse and production facilities. The combined solution provides an efficient mobile workplace, e.g. for order picking up to a height of 3 metres. The uprights are held together by a top element. All shelves are recessed in the frame profile. Fixed distance between shelves.

Max. load 750 kg. Max. load, shelves 200 kg. Max. load, product resting shelf 40 kg. Two fixed docking wheels with tugs and two swivel wheels, all with grey elastic rubber tyres measuring 200x50 mm, ball bearing hubs. Shelf dividers and pick-train are available as optional accessories.

STEP TROLLEY FOR TRUCK 709

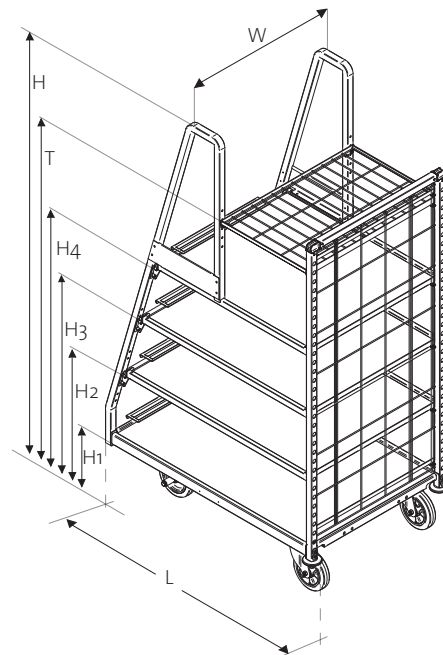
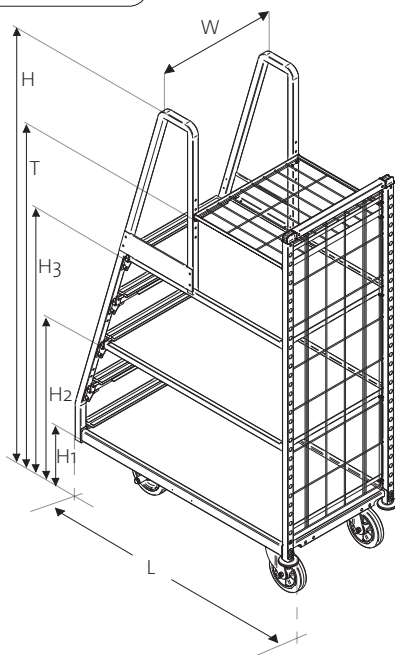
3 shelves					Length	Width	Height	Shelf height	Shelf height	Shelf height	Top shelf
Item no.	Shelves	Bottom shelf	Middle shelf	Top shelf	(L)	(W)	(H)	(H1)	(H2)	(H3)	(T)
15 75 26 95	3	1,250x600	1,120x600	955x600	1,373	707	2,280	298	842	1,393	1,815

4 shelves						Length	Width	Height	Shelf height	Shelf height	Shelf height	Shelf height	Top shelf
Item no.	Shelves	Bottom shelf	Middle shelf 1	Middle shelf 2	Top shelf	(L)	(W)	(H)	(H1)	(H2)	(H3)	(H4)	(T)
15 75 26 96	4	1,250x600	1,156x600	1,055x600	955x600	1,373	707	2,280	298	692	1,042	1,393	1,815

SHELF DIVIDER PICK-TRAIN

Item no.	Width
10 75 00 04	600
Compatible with chassis 10 75 00 09	600

Item no.	Width
12 75 34 06	600
12 75 34 08	800





Item no.
15752895



Item no.
15752896

STEP TROLLEY 800mm

Trolley with steps for picking and replenishment in warehouse and production facilities. The combined solution provides an efficient mobile workplace, e.g. for order picking up to a height of 3 metres. The uprights are held together by a top element. All shelves are recessed in the frame profile. Fixed distance between shelves. Max. load 750 kg.

Max. load, shelves 200 kg. Max. load, product resting shelf 40 kg. Two fixed docking wheels with tugs and two swivel wheels, all with grey elastic rubber tyres measuring 200x50 mm, ball bearing hubs. Shelf dividers and pick-train are available as optional accessories.

STEP TROLLEY FOR TRUCK 710

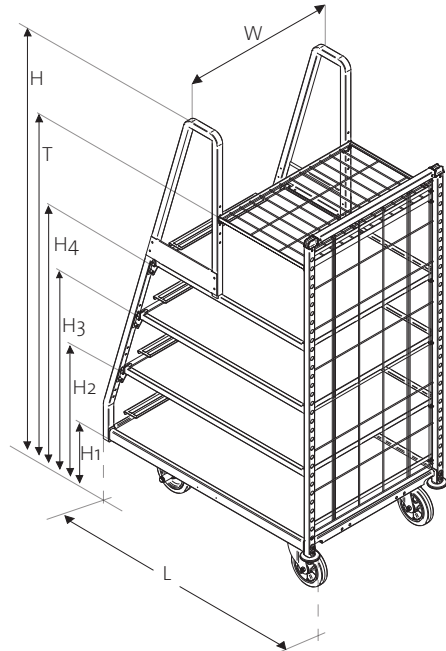
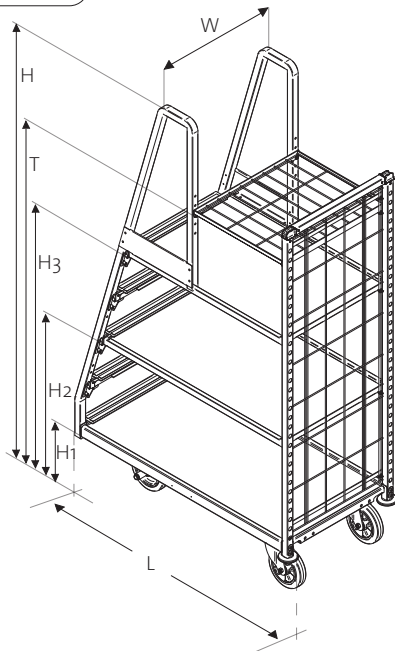
3 shelves					Length	Width	Height	Shelf height	Shelf height	Shelf height	Top shelf
Item no.	Shelves	Bottom shelf	Middle shelf	Top shelf	(L)	(W)	(H)	(H1)	(H2)	(H3)	(T)
15 75 28 95	3	1,250x800	1113x800	955x800	1,373	907	2,280	298	842	1,392	1,815

4 shelves						Length	Width	Height	Shelf height	Shelf height	Shelf height	Shelf height	Top shelf
Item no.	Shelves	Bottom shelf	Middle shelf 1	Middle shelf 2	Top shelf	(L)	(W)	(H)	(H1)	(H2)	(H3)	(H4)	(T)
15 75 28 96	4	1,250x800	1,156x800	1,055x800	955x800	1,373	907	2,280	298	693	1,045	1392	1,835

SHELF DIVIDER PICK-TRAIN

Item no.	Width
10 75 00 07	800
Compatible with chassis	
10 75 00 10	800

Item no.	Width
12 75 34 08	800



SERIES 750 SHELF TROLLEY FOR PICKING TRUCK

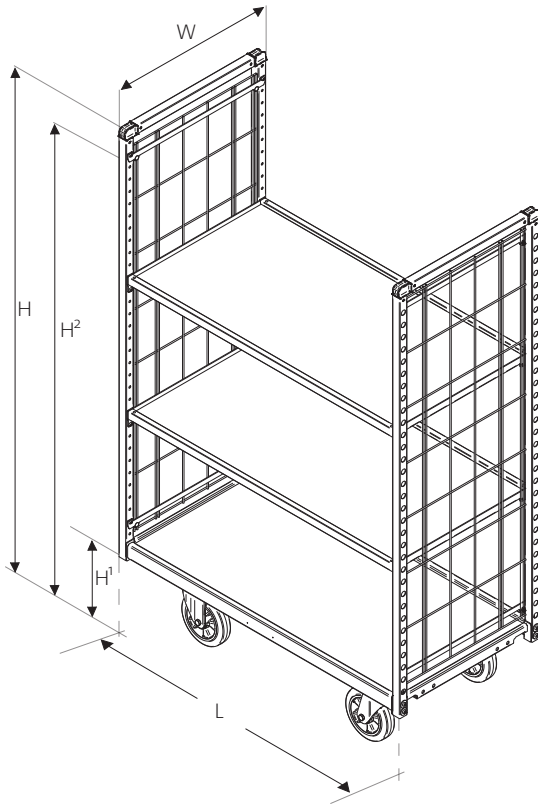
These shelf trolleys are designed for use with picking trucks. The ends and shelves are reinforced to withstand loads up to 750 kg. The shelves are recessed in the frame profile and have a grooved surface to keep the products in place. The trolley is designed so that every millimetre of shelf space can be utilised. It is light and handy for order picking. The docking system makes it quick and easy to change the trolleys. The trolleys in our 750 series are easy to reconfigure and adapt to the job at hand.

Max. load 750 kg. Lower shelf has a max. load of 750 kg. Upper shelves have a max. load of 200 kg. Two fixed docking wheels with tugs and two swivel wheels, all with grey elastic rubber tyres measuring 200x50 mm, ball bearing hubs.

Pick-train, shelf dividers and extra shelves are available as optional accessories.



Item no.
15752690



Docking trolley (A-trolley)							Shelf height min. (H1)	Shelf height max. (H2)
Item no.	Compatible with truck	Shelves	Shelf dim.	Length (L)	Width (W)	Height (H)		
15 75 26 90	709	3	1,250x600	1,361	707	1,990	298	1,892
15 75 28 90	710	3	1,250x800	1,361	907	1,990	298	1,892
15 75 46 90	709	3	1,450x600	1,561	707	1,990	298	1,892
15 75 48 90	710	3	1,450x800	1,561	907	1,990	298	1,892
15 75 66 90	709	3	1,650x600	1,761	707	1,990	298	1,892
15 75 68 90	710	3	1,650x800	1,761	907	1,990	298	1,892

EXTRA SHELVES SHELF DIVIDER PICK-TRAIN

Item no.	Shelf dim.
12 75 25 26	1,250x600
12 75 25 28	1,250x800
12 75 25 46	1,450x600
12 75 25 48	1,450x800
12 75 25 66	1,650x600
12 75 25 68	1,650x800

Item no.	Width
10 75 00 04	600
10 75 00 07	800
Compatible with chassis 10 75 00 09	
10 75 00 10	800

Item no.	Width
12 75 34 06	600
12 75 34 08	800

SERIES 750 SHELF TROLLEY FOR PICKING TRUCK

These shelf trolleys are designed for use with picking trucks. The ends and shelves are reinforced to withstand loads up to 750 kg. The shelves are recessed in the frame profile and have a grooved surface to keep the products in place. The trolley is designed so that every millimetre of shelf space can be utilised. It is light and handy for order picking. The docking system makes it quick and easy to change the trolleys. The trolleys in our 750 series are easy to reconfigure and adapt to the job at hand.

Max. load 750 kg. Lower shelf has a max. load of 750 kg. Upper shelves have a max. load of 200 kg. Two fixed docking wheels with tugs and two swivel wheels, all with grey elastic rubber tyres measuring 200x50 mm, ball bearing hubs.

Pick-train, shelf dividers, braked wheels and extra shelves are available as optional accessories.

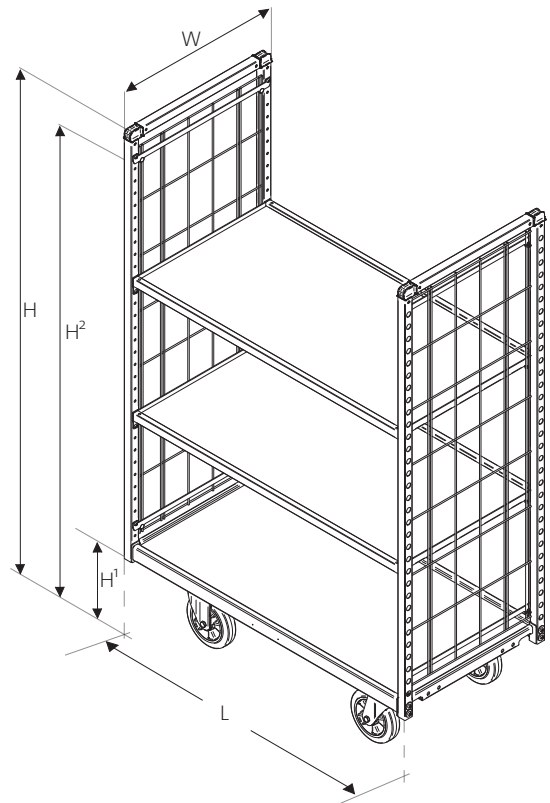


* Pick-train is available as an optional accessory, not included as standard

Item no.
15752685

PICK-TRAIN

Pick-train is designed to shorten the distance between the trolleys in a train. This solution has ergonomic benefits and also shortens picking times by reducing the picker's walking distance. Up to two trolleys can be used in the train. Pick-train can only be used with trolleys from Helge Nyberg AB and in combination with our trucks. When pick-train is used in a train of trolleys, the second trolley in the train must not be dockable.



Ready-prepared for pick-train connection (B-trolley)

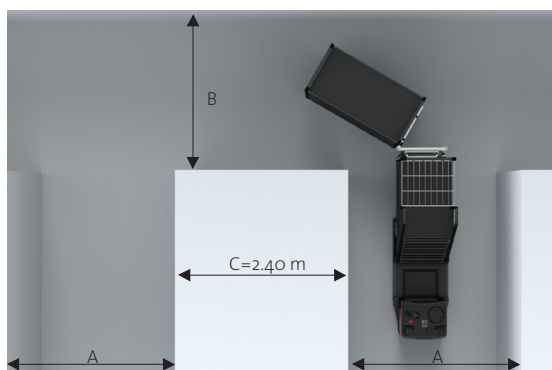
Item no.	Shelves	Shelf dim.	Length (L)	Width (W)	Height (H)	Shelf height	
						min. (H1)	max. (H2)
15 75 26 85	3	1,250x600	1,340	670	1,990	298	1,892
15 75 28 85	3	1,250x800	1,340	870	1,990	298	1,892
15 75 46 85	3	1,450x600	1,540	670	1,990	298	1,892
15 75 48 85	3	1,450x800	1,540	870	1,990	298	1,892
15 75 66 85	3	1,650x600	1,740	670	1,990	298	1,892
15 75 68 85	3	1,650x800	1,740	870	1,990	298	1,892

EXTRA SHELVES SHELF DIVIDER PICK-TRAIN

Item no.	Shelf dim.
12 75 25 26	1,250x600
12 75 25 28	1,250x800
12 75 25 46	1,450x600
12 75 25 48	1,450x800
12 75 25 66	1,650x600
12 75 25 68	1,650x800

Item no.	Width
10 75 00 04	600
10 75 00 07	800
Compatible with chassis	
10 75 00 09	600
10 75 00 10	800

Item no.	Width
12 75 34 06	600
12 75 34 08	800



TURN RADIUS

Number of trolleys	Trolley model	Shelf dim.	A-aisle (mm)	B-aisle (mm)	U-turn (mm)
1	15 75 28 85	1,250x800	2,000	1,500	2,800
2	15 75 28 85	1,250x800	2,000	1,500	3,750
1	15 75 48 85	1,450x800	2,000	1,750	3,000
2	15 75 48 85	1,450x800	2,000	2,000	4,250
1	15 75 68 85	1,650x800	2,000	2,000	3,200
2	15 75 68 85	1,650x800	2,000	2,500	4,500

SERIES 750 SHELF TROLLEY FOR TRUCKS – QUICK

These shelf trolleys are designed for use with towing tractors, and are suitable for carrying larger quantities of goods in narrow spaces. The ends and shelves are reinforced to withstand loads up to 750 kg. The shelves are recessed in the frame profile and have a grooved surface to keep the products in place. The trolley is designed so that every millimetre of shelf space can be utilised. The trolleys in our 750 series are easy to reconfigure and adapt to the job at hand.

Max. load 750 kg. Lower shelf has a max. load of 750 kg. Upper shelves have a max. load of 200 kg. Two fixed wheels and two swivel wheels, all with grey elastic rubber tyres measuring 200x50 mm, ball bearing hubs.

Truck fork guide, braked wheels, shelf dividers and extra shelves are available as optional accessories.



Tow bar, forwards	Tow bar, backwards	Shelves	Shelf dim.	Length (L)	Width (W)	Height (H)	Shelf height min. (H1)	Shelf height max. (H2)
15 75 26 81	15 75 26 82	3	1,250x600	1,340	670	1,990	298	1,892
15 75 28 81	15 75 28 82	3	1,250x800	1,340	870	1,990	298	1,892
15 75 46 81	15 75 46 82	3	1,450x600	1,540	670	1,990	298	1,892
15 75 48 81	15 75 48 82	3	1,450x800	1,540	870	1,990	298	1,892
15 75 66 81	15 75 66 82	3	1,650x600	1,740	670	1,990	298	1,892
15 75 68 81	15 75 68 82	3	1,650x800	1,740	870	1,990	298	1,892

With the Quick towing device, the tow bar is fitted facing forwards or backwards and connects from underneath. The device is easy to release with a simple foot movement, making Quick one of our most ergonomic towing devices.

EXTRA SHELVES

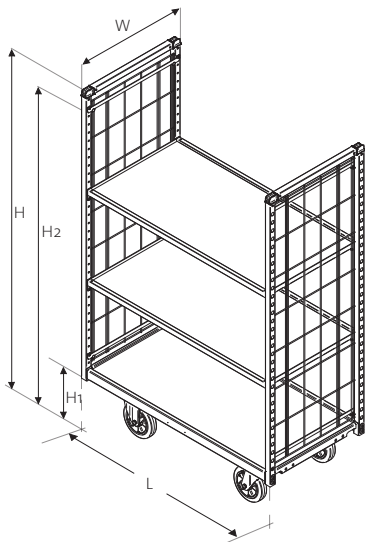
Item no.	Shelf dim.
12 75 25 26	1,250x600
12 75 25 28	1,250x800
12 75 25 46	1,450x600
12 75 25 48	1,450x800
12 75 25 66	1,650x600
12 75 25 68	1,650x800

SHELF DIVIDER

Item no.	Width
10 75 00 04	600
10 75 00 07	800
Compatible with chassis	
10 75 00 09	600
10 75 00 10	800

TRUCK FORK GUIDE

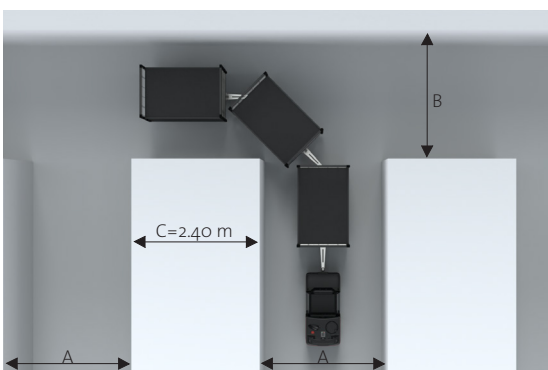
Item no.	Width
12 75 00 11	600
12 75 00 11	800



TURN RADIUS

Number of trolleys	Trolley model	Shelf dim.	A-aisle (mm)	B-aisle (mm)	U-turn (mm)
1	15 75 28 81	1,250x800	2,000	1,500	2,700
2	15 75 28 81	1,250x800	2,000	2,000	3,600
3	15 75 28 81	1,250x800	2,000	3,000	4,000
1	15 75 48 81	1,450x800	2,000	2,000	2,850
2	15 75 48 81	1,450x800	2,000	2,500	4,000
3	15 75 48 81	1,450x800	2,000	3,500	4,350
1	15 75 68 81	1,650x800	2,000	2,000	3,000
2	15 75 68 81	1,650x800	2,000	3,000	4,500
3	15 75 68 81	1,650x800	2,000	4,000	4,700

Number of trolleys	Trolley model	Shelf dim.	A-aisle (mm)	B-aisle (mm)	U-turn (mm)
1	15 75 28 82	1,250x800	2,000	1,500	3,000
2	15 75 28 82	1,250x800	2,000	2,000	3,600
3	15 75 28 82	1,250x800	2,000	2,000	4,000
1	15 75 48 82	1,450x800	2,000	1,500	3,250
2	15 75 48 82	1,450x800	2,000	2,000	3,800
3	15 75 48 82	1,450x800	2,000	3,000	4,250
1	15 75 68 82	1,650x800	2,000	1,500	3,500
2	15 75 68 82	1,650x800	2,000	2,000	4,500
3	15 75 68 82	1,650x800	2,000	3,500	5,000



SERIES 750 SHELF TROLLEY FOR TRUCKS – TOW BAR

These shelf trolleys are designed for use with towing tractors, and are suitable for carrying larger quantities of goods in narrow spaces. The ends and shelves are reinforced to withstand loads up to 750 kg. The shelves are recessed in the frame profile and have a grooved surface to keep the products in place. The trolley is designed so that every millimetre of shelf space can be utilised. The trolleys in our 750 series are easy to reconfigure and adapt to the job at hand.

Max. load 750 kg. Lower shelf has a max. load of 750 kg. Upper shelves have a max. load of 200 kg. Two fixed wheels and two swivel wheels, all with grey elastic rubber tyres measuring 200x50 mm, ball bearing hubs.

Truck fork guide, braked wheels, shelf dividers and extra shelves are available as optional accessories.

With a rear tow bar, the most common solution, you get better driving properties for loads of up to 750 kg.

The front tow bar is available in all sizes. Hole diameter on tow bar 23 mm, tug 22 mm.

Tow bar, forwards	Tow bar, backwards	Shelves	Shelf dim.	Length (L)	Width (W)	Height (H)	Shelf height min. (H1)	Shelf height max. (H2)
15 75 26 83	15 75 26 80	3	1,250x600	1,409	670	1,990	298	1,892
15 75 28 83	15 75 28 80	3	1,250x800	1,409	870	1,990	298	1,892
15 75 46 83	15 75 46 80	3	1,450x600	1,609	670	1,990	298	1,892
15 75 48 83	15 75 48 80	3	1,450x800	1,609	870	1,990	298	1,892
15 75 66 83	15 75 66 80	3	1,650x600	1,809	670	1,990	298	1,892
15 75 68 83	15 75 68 80	3	1,650x800	1,809	870	1,990	298	1,892



EXTRA SHELVES

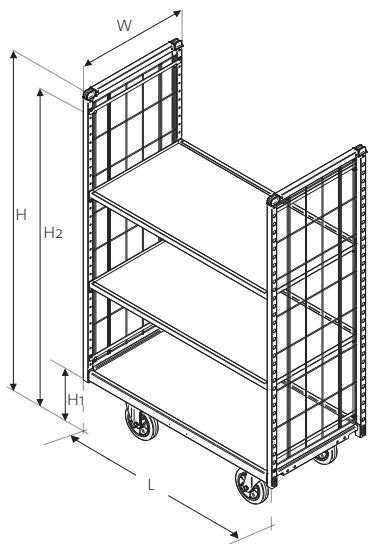
Item no.	Shelf dim.
12 75 25 26	1,250x600
12 75 25 28	1,250x800
12 75 25 46	1,450x600
12 75 25 48	1,450x800
12 75 25 66	1,650x600
12 75 25 68	1,650x800

SHELF DIVIDER

Item no.	Width
10 75 00 04	600
10 75 00 07	800
Compatible with chassis	
10 75 00 09	600
10 75 00 10	800

TRUCK FORK GUIDE

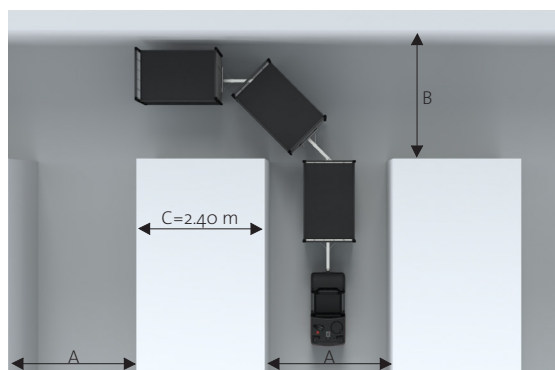
Item no.	Width
12 75 00 11	600
12 75 00 11	800



TURN RADIUS

Number of trolleys	Trolley model	Shelf dim.	A-aisle (mm)	B-aisle (mm)	U-turn (mm)
1	15 75 28 83	1,250x800	2,000	1,500	2,700
2	15 75 28 83	1,250x800	2,000	2,000	3,600
3	15 75 28 83	1,250x800	2,000	3,000	4,000
1	15 75 48 83	1,450x800	2,000	2,000	2,850
2	15 75 48 83	1,450x800	2,000	3,000	4,000
3	15 75 48 83	1,450x800	2,000	3,500	4,350
1	15 75 68 83	1,650x800	2,000	2,000	3,000
2	15 75 68 83	1,650x800	2,000	3,000	4,500
3	15 75 68 83	1,650x800	2,000	4,000	4,700

Number of trolleys	Trolley model	Shelf dim.	A-aisle (mm)	B-aisle (mm)	U-turn (mm)
1	15 75 28 80	1,250x800	2,000	1,500	3,000
2	15 75 28 80	1,250x800	2,000	2,000	3,600
3	15 75 28 80	1,250x800	2,000	2,000	4,000
1	15 75 48 80	1,450x800	2,000	1,500	3,250
2	15 75 48 80	1,450x800	2,000	2,000	3,800
3	15 75 48 80	1,450x800	2,000	3,000	4,250
1	15 75 68 80	1,650x800	2,000	1,500	3,500
2	15 75 68 80	1,650x800	2,000	2,000	4,500
3	15 75 68 80	1,650x800	2,000	3,500	5,000



HelgeNyberg

HELGE NYBERG AB
Industrivägen 2
523 90 Ulricehamn

Tel. +46 321 263 00
Fax +46 321 263 01

info@helge-nyberg.com
www.helge-nyberg.com