

movitruck

BATTERY VEHICLE MOVERS



MORE PRODUCTIVITY, HIGHER SAFETY LEVEL

Ideal in automotive production facilities, garages, and mechanical workshops, to move cars without starting the vehicle or pushing it, in accordance with ISO 11228 "Ergonomics Manual handling". It's easy to operate and it doesn't require any driving licence.

Vehicle movers are a useful tool to move cars without worrying about damages to the vehicle, or personnel safety, as it prevents injuries from manually pushing the vehicle and from inhaling exhaust gases.

Movitruck allows the operator to maneuver effortlessly and safely trucks, cars, and vans up to 2500 kg (5500 lb). It is equipped with an extra-large 'L' curved handle, specially designed to avoid contact with the car body, while allowing comfortable maneuverability.

EXTREMELY COMPACT

only 12 cm (4,7 in) high

HIGHLY POWERFUL

thrust force up to 2500 kg (5500 lb)

EXTRA LARGE "L" CURVED HANDLE

designed to avoid contact with the car body, while allowing comfortable maneuverability

SOFT RUBBER ROLLERS

for an increased traction

STATUS DISPLAY

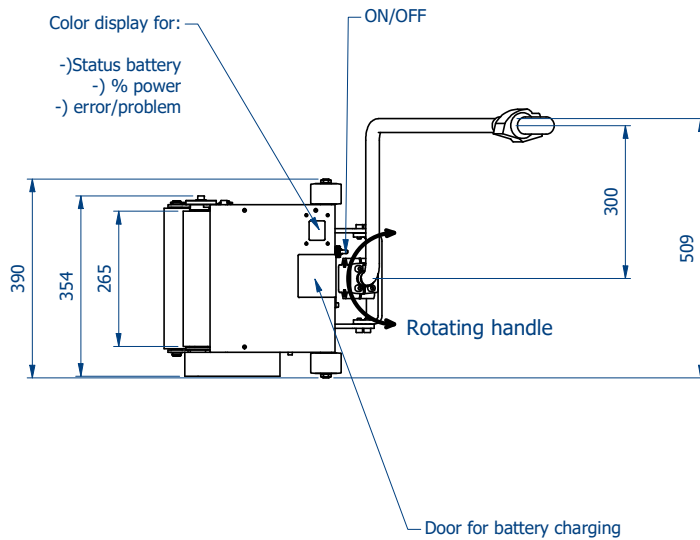
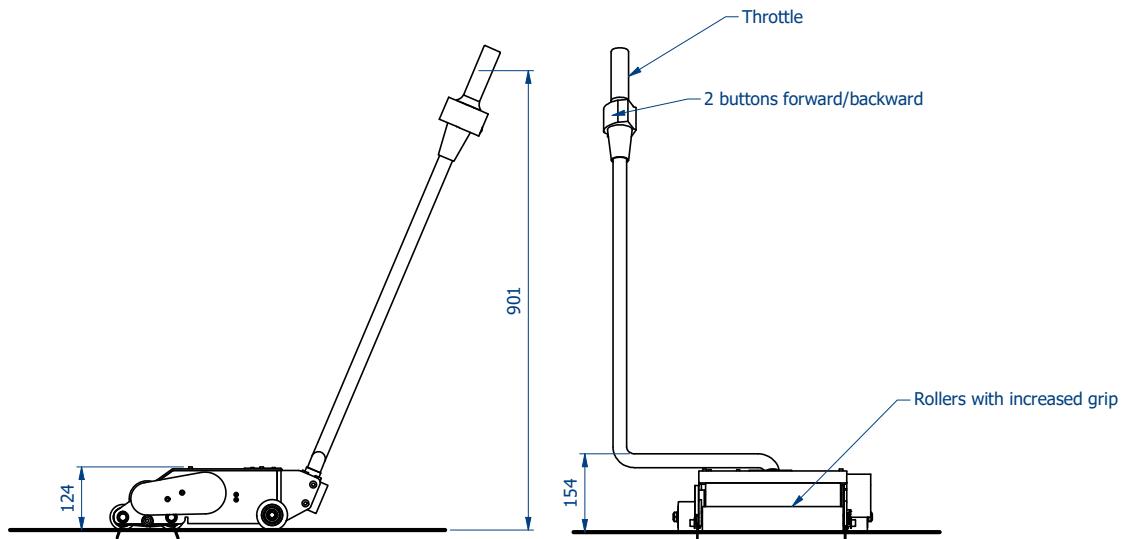
easily see power applied and battery charge percentage during usage

2 YEAR WARRANTY

the only product in its category with a 2-year warranty on both the motor and the battery

MVE

Compact vehicle mover for the ergonomic handling of cars and trucks.



model	thrust force	motor	battery	max speed	unit weight
MVE 100 C	1500 kg	24 V DC IP 44	lithium 24 V	8.5 m/min	29 kg
MVE 200 C	2500 kg	24 V DC IP 44	lithium 24 V	5.6 m/min	29 kg

renova srl
 registered office : via palmanova 24, 20132 milano - italy
 operational hq: viale rimembranze 93, 20099 sesto s. g., milano - italy
 VAT IT03758670965 | REA MI-1699970 | share capital. €10.000,00

www.renova-srl.com
 support@renova-srl.com
 info@renova-srl.com
 t. +39 02 27007394

